

PLEASE CHECK WWW.MOLEX.COM FOR LATEST PART INFORMATION

Part Number: **0194280005**
Status: **Active**
Description: 5.84mm (.230") Pitch MX150L™ Vertical PCB Header, Dual Row, Standard Profile, 10 Circuits

Documents:

[3D Model](#) [Product Specification PS-19427-001 \(PDF\)](#)
[Drawing \(PDF\)](#) [RoHS Certificate of Compliance \(PDF\)](#)

Agency Certification

UL E152602

General

Product Family PCB Headers
 Series [19428](#)
 Application Wire-to-Board
 Comments Standard Profile
 Product Literature Order No 987650-2181
 Product Name MX150L™

Physical

Breakaway No
 Circuits (Loaded) 10
 Circuits (maximum) 10
 Durability (mating cycles max) 25
 Flammability 94V-0
 Glow-Wire Compliant No
 Lock to Mating Part Yes
 Material - Plating Mating Tin
 Material - Plating Termination Tin
 Number of Rows 2
 Orientation Vertical
 PC Tail Length (in) 0.130 In
 PC Tail Length (mm) 3.30 mm
 PCB Locator Yes
 PCB Retention None
 PCB Thickness Recommended (in) 0.062 In
 PCB Thickness Recommended (mm) 1.60 mm
 Packaging Type Tray
 Pitch - Mating Interface (in) 0.230 In
 Pitch - Mating Interface (mm) 5.84 mm
 Polarized to Mating Part Yes
 Polarized to PCB Yes
 Shrouded Fully
 Stackable No
 Surface Mount Compatible (SMC) No
 Temperature Range - Operating -40°C to +125°C
 Termination Interface: Style Through Hole

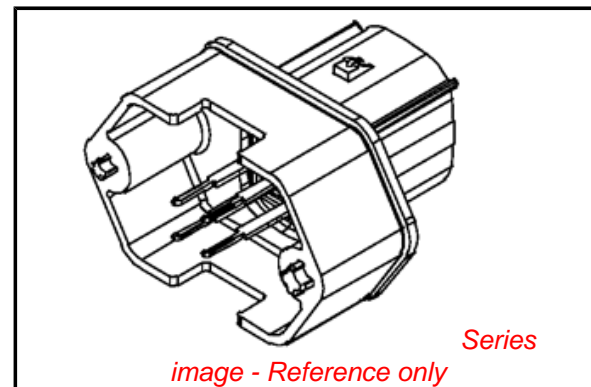
Electrical

Current - Maximum per Contact 18A
 Voltage - Maximum 600V

Material Info

Reference - Drawing Numbers

Product Specification PS-19427-001



EU RoHS

ELV and RoHS Compliant
REACH SVHC
 Not Reviewed
Halogen-Free Status
 Not Reviewed

China RoHS



Need more information on product environmental compliance?

Email productcompliance@molex.com
 For a multiple part number RoHS Certificate of Compliance, [click here](#)

Please visit the [Contact Us](#) section for any non-product compliance questions.

Search Parts in this Series

[19428Series](#)

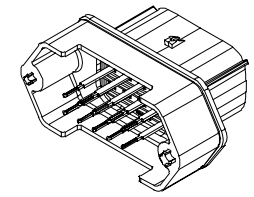
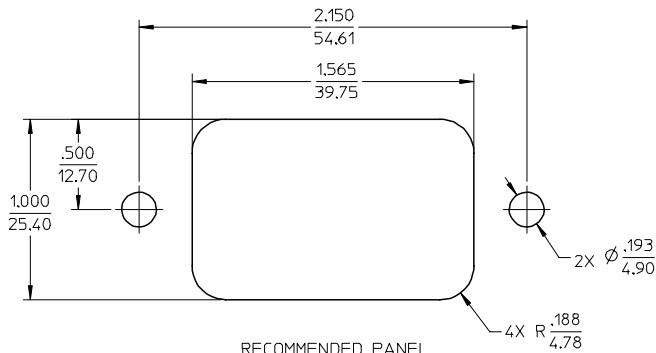
Mates With

[19418 Receptacle Assemblies](#)

This document was generated on 04/05/2010

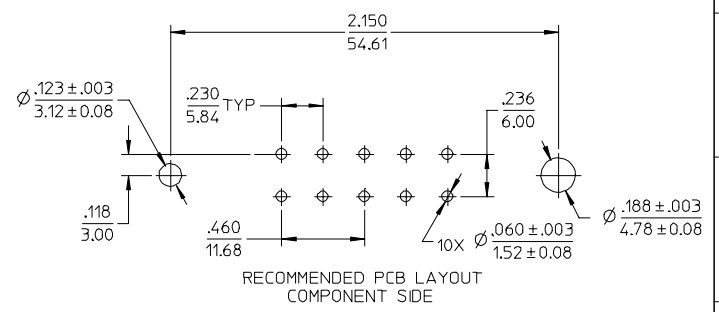
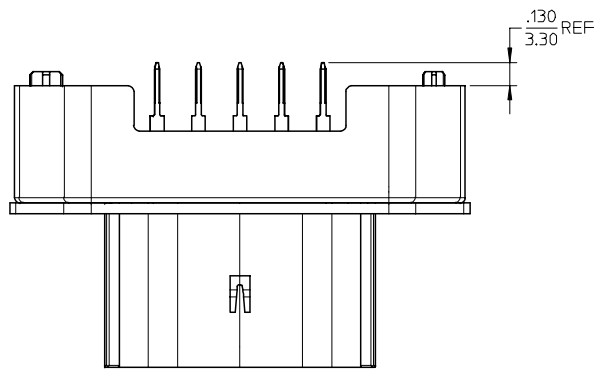
PLEASE CHECK WWW.MOLEX.COM FOR LATEST PART INFORMATION

ASSEMBLY MATERIAL NUMBER	TERMINAL PLATING
194280005	TIN
194280022	TIN/GOLD

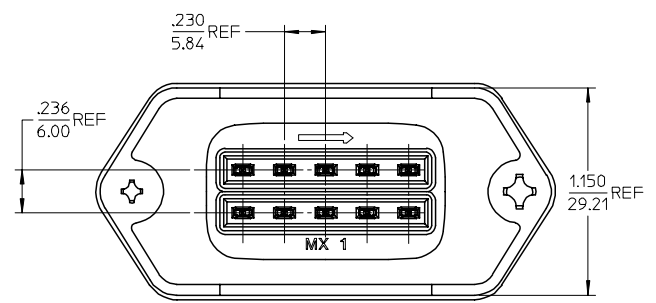
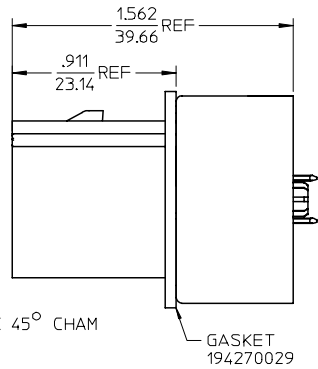
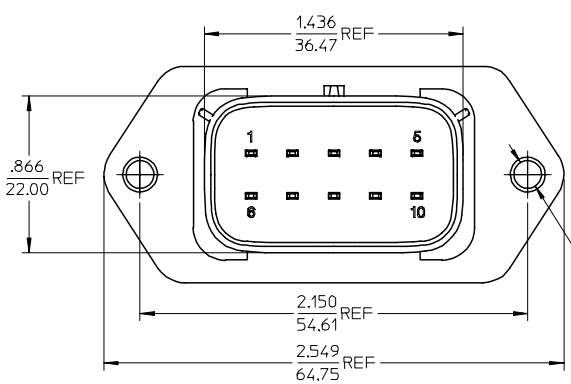


ASSEMBLED VIEW
SCALE 1:1

RECOMMENDED PANEL
MOUNT OPENING
MAX PANEL THK .080/2.03



RECOMMENDED PCB LAYOUT
COMPONENT SIDE



NOTES:

- MATERIALS:
HOUSING: POLYESTER (PBT), GLASS FILLED, UL94 V-0,
COLOR: BLACK
TERMINALS: COPPER ALLOY
- FINISHES: 1. TIN ONLY; 100µM TIN OVER 50µM NICKEL
2. TIN/GOLD: 30µM SELECT GOLD (CONTACT MATING AREA),
100µM SELECT TIN (PCB TAIL AREA) OVER 50µM NICKEL OVERALL.
- PRODUCT SPECIFICATION: PS-19428-001.
- PACKAGING SPECIFICATION: PK-19428-001.
- MATES WITH: 19418 SERIES RECEPTACLE ASSEMBLIES.
- RECOMMENDED MOUNTING HARDWARE: (2) #10 X .62/18.9 LONG PLASTIC
THREAD CUTTING SCREWS. RECOMMENDED TORQUE 15-17 IN-LBS.
SUGGESTED SOURCE: ITW SHAKEPROOF INDUSTRIAL BOSSCREW OR EQUIVALENT.

REVISED FC NO: ETC2006-0028 DRAWN: JPANLICK 2005/10/10 CHKD: JPANLICK 2005/10/11 APPR: RDEROSS 2005/10/11	DESCRIPTION	QUALITY SYMBOLS	GENERAL TOLERANCES (UNLESS SPECIFIED)	DIMENSION STYLE	SCALE	DESIGN UNITS	THIRD ANGLE PROJECTION
		▽=0	mm INCH	IN/MM	2:1	INCH	☉
		▽=0	4 PLACES ± --- ± ---	DRAWN BY DATE	TITLE		
			3 PLACES ± --- ± .015	DMYRICK 04/07/06	10-WAY STRAIGHT HEADER ASSEMBLY, LONG VERSION		
		2 PLACES ± 0.38 ± ---	CHECKED BY DATE	MATERIAL NO.			
		1 PLACE ± --- ± ---	JPANLICK 04/07/06	DOCUMENT NO.			
		ANGULAR ± 1 °	APPROVED BY DATE	SHEET NO.			
			RDEROSS 04/07/06	1 OF 1			
			MATERIAL NO.	THIS DRAWING CONTAINS INFORMATION THAT IS PROPRIETARY TO MOLEX INCORPORATED AND SHOULD NOT BE USED WITHOUT WRITTEN PERMISSION			
			SEE CHART	SD-19428-014			